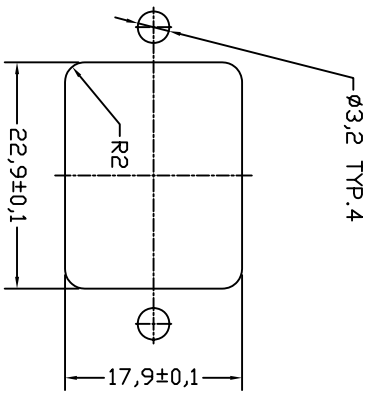
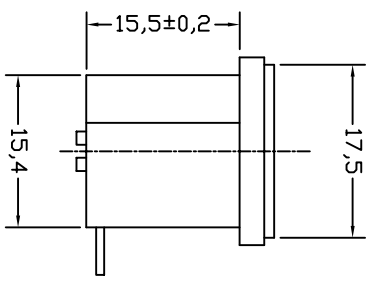
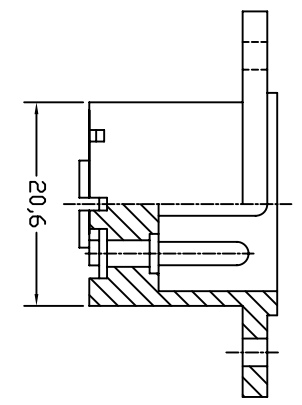


PANEL CUT-OUT

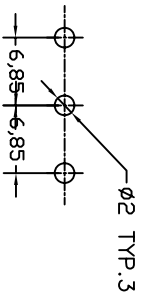


- A: MATERIAL:  
 1. HOUSING: PBT WITH +30% GLASS FIBER UL 94V-0  
 2. TERMINAL: COPPER ALLOY
- B: CHARACTERISTICS:  
 1. RATING: 2.5A/250V AC  
 2. INSULATION RESISTANCE: OVER 100M Ω 500V DC  
 3. DIELECTRIC STRENGTH: 2000V AC ONE MINUTE
- C: APPROVALS:  
 UL, CSA, VDE, SEMKO, SEV, NEMKO, DEMKO, FIMKO, CCC  
 D: ORDERING OPTION

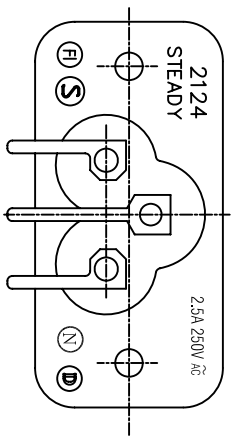
ORDER#	ITEM REQ.	TERMINAL
2124-FP	①+②	PCB TABS



PCB LAYOUT



5	T-24RB	TERMINAL	2PCS	P.C.B	COPPER ALLOY	TIN-PLATED
4	T-24RA	TERMINAL	1PCS	P.C.B	COPPER ALLOY	TIN-PLATED
3	T-24PBL	TERMINAL	2PCS	Ø2.36	COPPER ALLOY	NI-PLATED
2	T-24PAL	TERMINAL	1PCS	Ø3.15	COPPER ALLOY	NI-PLATED
1	H-24-F-G	HOUSING	3.82g	SNAP-IN TYPE	PBT+30%GF	THERMOPLASTIC



**深圳市仁达电子有限公司**  
 SHEN ZHEN STEADY ELECTRONICS CORPORATION

TOLERANCE UNLESS OTHERWISE MARKED  
 DIMENSION:  
 0~6 : ±0.1  
 6~30 : ±0.2  
 30~120 : ±0.3

ANGULAR  
 ±0.5

PART NO.: 2124-FP-G  
 NAME: SCREW TYPE AC INLET 3P

MATERIAL: SEE ABOVE  
 SPEC: \_\_\_\_\_

REV	DATE	DESCRIPTION	WRITE	APPD.	A	UNIT: mm	SCALE 1:1	SHEET 1 OF 1	APPROVED	CHECKED	DRAW BY	JOB NO.: 2124-FP
A.0	2008.05.26	RE DRAWING	谢莉萍		4						谢莉萍	