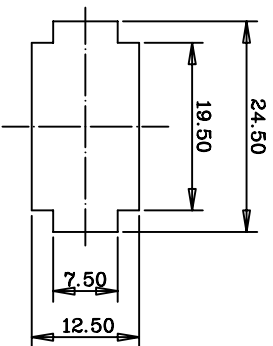
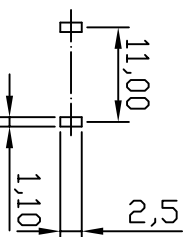
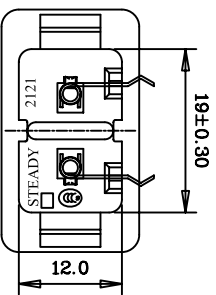
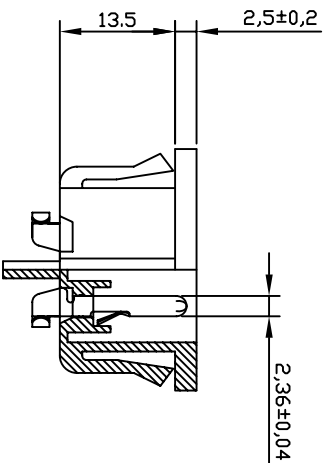
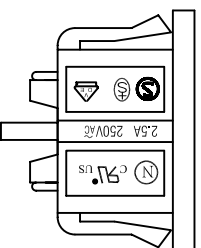
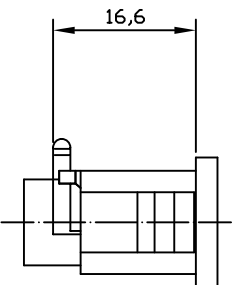


THICKNESS: 0.8~1.3t



PANEL CUT-OUT



PCB LAYOUT

- A: MATERIAL:
1. HOUSING: PA66 UL 94V-2
 2. TERMINAL: COPPER ALLOY

- B: CHARACTERISTICS:
1. RATING: 2.5A/250V AC
 2. INSULATION RESISTANCE: OVER 100MΩ AT 500V DC
 3. DIELECTRIC STRENGTH: 2000V AC ONE MINUTE

C: APPROVALS:
UL, CSA, VDE, SEMKO, SEV, NEMKO, CCC

REV	DATE	RE. DRAWING	DISCRIPTION	WRITE	APPD.
A.0	2008.05.26			谢莉萍	

ITEM	PART NO.	PART NAME	QTY	SPECIFICATION	MATERIAL	REMARKS
3	T-21PB	TERMINAL	IPCS		COPPER ALLOY	TIN-PLATED
2	T-21PA	TERMINAL	IPCS		COPPER ALLOY	TIN-PLATED
1	H-21-SP-G	HOUSING	42g	SNAP-IN TYPE	PA66	THERMOPLASTIC

<p>深圳市仁达电子有限公司 SHEN ZHEN STEADY ELECTRONICS CORPORATION</p>		<p>PART NO.: 2121-SP-G</p> <p>NAME: SNAP-IN TYPE AC INLET 2P</p>	
<p>TOLERANCE UNLESS OTHERWISE MARKED</p> <p>DIMENSION: ANGULAR ±0.5</p> <p>0~6 : ±0.1</p> <p>6~30 : ±0.2</p> <p>30~120: ±0.3</p>		<p>MATERIAL: SEE ABOVE</p> <p>SPEC.: 有极性</p>	
APPROVED	CHECKED	DRAW BY	JOB NO.:
		谢莉萍	21111-FS2
		08/06/2	

UNIT:	SCALE	SHEET
mm	1:1	1 OF 1