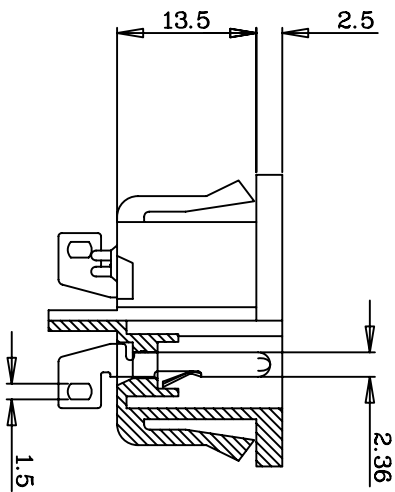


THICKNESS: 1.65t

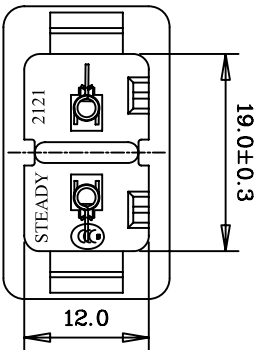
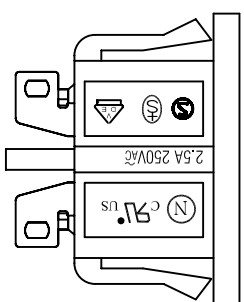
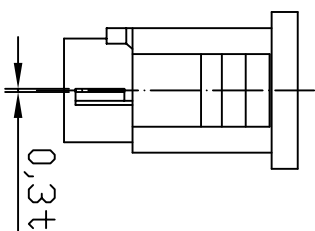
- A: MATERIAL:
 1. HOUSING: PA66 UL 94V-2
 2. TERMINAL: COPPER ALLOY

- B: CHARACTERISTICS:
 1. RATING: 2.5A250V AC
 2. INSULATION RESISTANCE: OVER 100MΩ AT 500V DC
 3. DIELECTRIC STRENGTH :2000V AC ONE MINUTE

C: APPROVALS:
 UL, CSA, VDE, SEMKO, SEV NEMKO & CCC,



PANEL CUT-OUT



ITEM	PART NO.	PART NAME	QTY	SPECIFICATION	MATERIAL	REMARKS
2	T-21S	TERMINAL	2PCS	SOLDER TYPE	COPPER ALLOY	TIN-PLATED
1	H-21-PS-G	HOUSING	3.8g	SNAP-IN TYPE	PA66	THERMOPLASTIC

深圳市仁达电子有限公司
 SHEN ZHEN STEADY ELECTRONICS CORPORATION

PART NO.: 2121-PS-WH-G
 NAME: SNAP-IN TYPE AC INLET 2P

TOLERANCE UNLESS OTHERWISE MARKED
 DIMENSION: ANGULAR ±0.5
 0~6 : ±0.1
 6~30 : ±0.2
 30~120 : ±0.3

MATERIAL: SEE ABOVE
 SPEC.: WHITE

REV	DATE	DESCRIPTION	WRITE	APPD.	UNIT:	SCALE	SHEET	APPROVED	CHECKED	DRAW BY	JOB NO.:
A.0	2008.06.27	RE DRAWING	谢莉萍		mm	1:1	1 OF 1			谢莉萍	
										08/06/27	