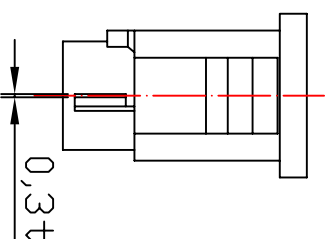
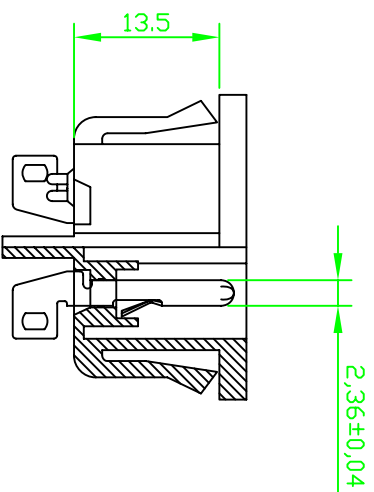


THICKNESS: 1.65t

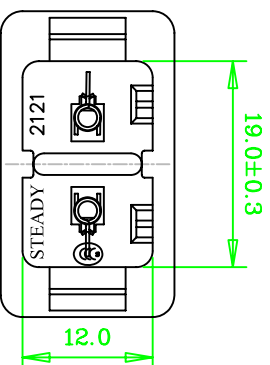
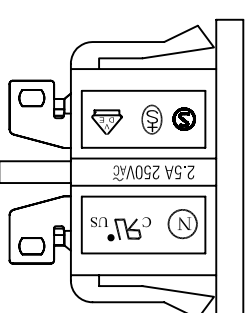
- A: MATERIAL:
 1. HOUSING: PA66 UL 94V-2
 2. TERMINAL: COPPER ALLOY

- B: CHARACTERISTICS:
 1. RATING: 2.5A/250V AC
 2. INSULATION RESISTANCE: OVER 100MΩ AT 500V DC
 3. DIELECTRIC STRENGTH: 2000V AC ONE MINUTE

- C: APPROVALS:
 UL, CSA, VDE, SEMKO, SEV, NEMKO, CCC



PANEL CUT-OUT



2	T-21S	TERMINAL	2 pcs	SOLDER TYPE	COPPER ALLOY	TIN-PLATED
1	H-21S	HOUSING	1	SNAP-IN TYPE	PA66	UL 94V-2
ITEM	PART NO.	PART NAME	QTY	SPECIFICATION	MATERIAL	REMARKS

深圳市仁达电子有限公司
 SHEN ZHEN STEADY ELECTRONICS CORPORATION

PART NO.: 2121-SS-G
 NAME: SNAP-IN TYPE AC INLET 2P

TOLERANCE UNLESS OTHERWISE MARKED
 DIMENSION: 0-6 : ±0.1
 6-18 : ±0.3
 18-50 : ±0.5

MATERIAL: SEE ABOVE
 SPEC.: 带极性

ANGULAR ±0.5

APPROVED: CHECKED: DRAWN: 侯锡强
 NOTE REV.:B

A	UNIT: mm	SCALE: 1:1	SHEET: 1 OF 1	JOB NO.:
3	07. 11. 28			