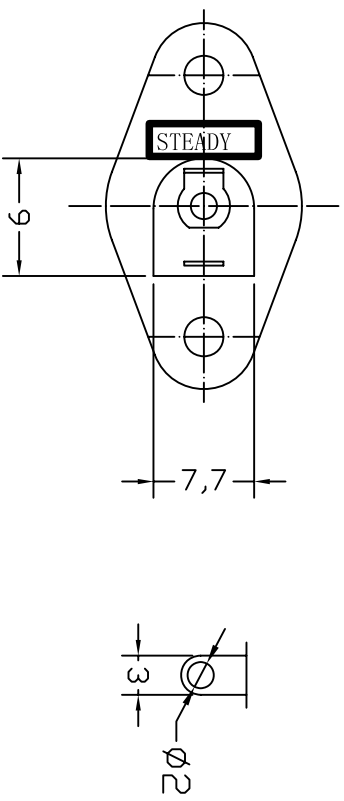



- A: MATERIAL:**
1. HOUSING: PBT WITH +30% GLASS FIBER UL 94V-0
 2. TERMINAL: COPPER ALLOY
- B: CHARACTERISTICS:**
1. RATING: 12V LCD/3.5A DC
 2. INSULATION RESISTANCE: OVER 5M Ω 500VDC
 3. DIELECTRIC STRENGTH: 1000V AC ONE MINUTE



 深圳市仁达电子有限公司 SHEN ZHEN STEADY ELECTRONICS CORPORATION		PART NO.:		NAME:	
		D-202-CS-G		DC OUTLET	
TOLERANCE UNLESS OTHERWISE MARKED DIMENSION: 0-6 : ± 0.05 6-18 : ± 0.1 18-50 : ± 0.15		MATERIAL: SEE ABOVE		SPEC.: 12V /3.5A DC	
ANGULAR ± 0.5		APPROVED	CHECKED	DRAWN	NOTE
A	UNITE:	SCALE	SHEET	07.11.28	JOB NO.:
3	mm	2:1	1 OF 1	侯锡强	