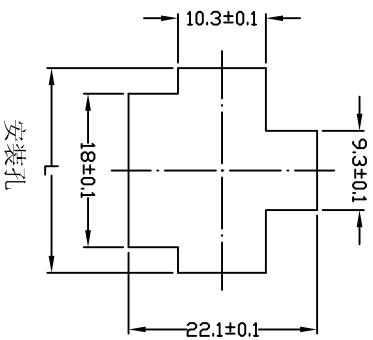
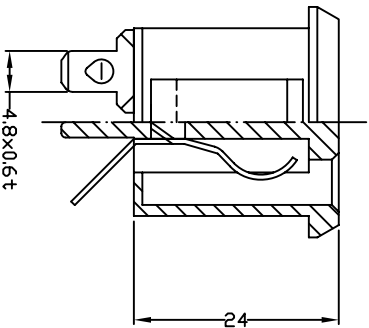
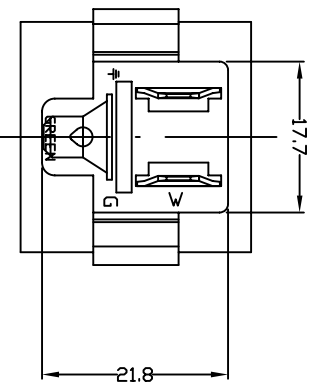
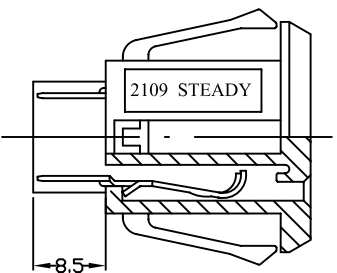


MONOGRAMS LAYOUT



| DIMENSION IN mm | |
|-----------------|----------|
| PART THICKNESS | L |
| 0.8 | 24±0.1 |
| 1.0 | 24.6±0.1 |
| 1.2 | 25.2±0.1 |
| 1.6 | 26.2±0.1 |

| ITEM | PART NO. | PART NAME | QTY | SPECIFICATION | MATERIAL | REMARKS |
|------|------------|-----------|-------|---------------|---------------|------------|
| 3 | T-000A | TERMINAL | 1 Pcs | 4.8x0.6 | COPPER ALLOY | TIN-PLATED |
| 2 | T-000B | TERMINAL | 2 Pcs | 4.8x0.6 | COPPER ALLOY | TIN-PLATED |
| 1 | H-09-PQ2-G | HOUSING | 1 Pcs | PUSH-IN TYPE | THERMOPLASTIC | |

SHEN ZHEN STEADY ELECTRONICS CORPORATION
深圳市仁达电子有限公司

PART NO.: 2109-PQ2-G
NAME: NEMA 5-15R
RECEPTANCE

TOLERANCE UNLESS OTHERWISE MARKED
ANGULAR
 ±0.5

MATERIAL:
 SEE ABOVE

SPEC.:

0~6 : ±0.1
 6~30 : ±0.2
 30~120 : ±0.3

APPROVED CHECKED **DRAW BY** **JOB NO.:**

| REV | DATE | DESCRIPTION | WRITE | APPD. |
|-----|------------|-------------|-------|-------|
| A.0 | 2008.02.21 | RE DRAWING | 侯锡强 | |

| UNIT: | SCALE | SHEET |
|-------|-------|--------|
| mm | 1:1 | 1 OF 1 |

| | | | | |
|---|--|--|-----|----------|
| 4 | | | 侯锡强 | 08/02/21 |
|---|--|--|-----|----------|