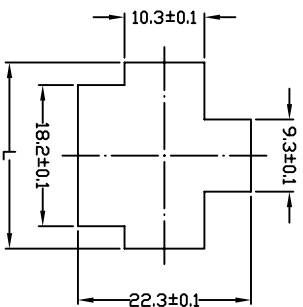
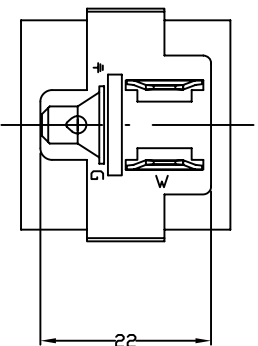
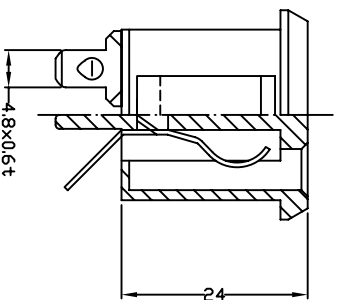
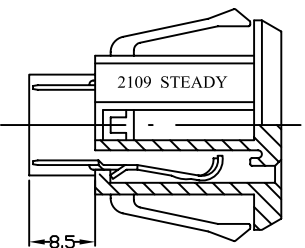


MONOGRAMS LAYOUT



PANEL CUT-OUT

DIMENSION IN mm	
PANEL THICKNESS	L
0.8	24±0.1
1.0	24.6±0.1
1.2	25.2±0.1
1.6	26.2±0.1

- A:MATERIAL:**
1. HOUSING: NYLON 66 FLAMMABILITY UL 94V-2 (94V-0 ON REQUEST)
2. TERMINAL: COPPER ALLOY

- B:CHARACTERISTICS:**
1. RATING: 15A 125V AC
2. INSULATION RESISTANCE: OVER 100MΩ 500V DC
3. DIELECTRIC STRENGTH: 2000V AC ONE MINUTE

C:APPROVALS:
 UL, CSA

D:ORDERING OPTIONS:

ITEM	PART NO.	QTY	SPECIFICATION	MATERIAL	REMARKS
3	T-990A	1 PCS	4.8x0.6	COPPER ALLOY	TIN-PLATED
2	T-990B	2 PCS	4.8x0.6	COPPER ALLOY	TIN-PLATED
1	H-990-2	1 PCS	PUSH-IN TYPE	PA66	HERMOPHASTIC

仁达 深圳市仁达电子有限公司
 SHEN ZHEN STEADY ELECTRONICS CORPORATION

PART NO.: 2109-PQ-G
NAME: NEMA 5-1-SR RECEPTANCE

MATERIAL: SEE ABOVE
SPEC.:

TOLERANCE UNLESS OTHERWISE MARKED
DIMENSION:
 0~6 : ±0.1
 6~30 : ±0.2
 30~120 : ±0.3

REV	DATE	DESCRIPTION	WRITE	APPD.
A.0	2008.02.21	RE DRAWING	侯锡强	

UNIT:	SCALE	SHEET
mm	1:1	1 OF 1

APPROVED	CHECKED	DRAW BY	JOB NO.:
		侯锡强	

08/02/21