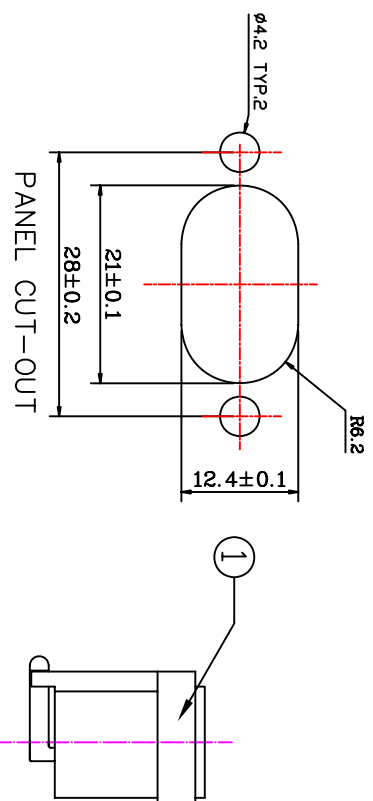



- A: MATERIAL:
 1. HOUSING: PBT+30%GF UL 94V-0
 2. TERMINAL: COPPER ALLOY

- B: CHARACTERISTICS:
 1. RATING: 2.5A 250V AC
 2. INSULATION RESISTANCE: OVER 100M Ω 500V AC
 DIELECTRIC STRENGTH: 2000V AC 1 MINUTE


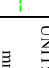
C: APPROVALS:
 UL, CSA, VDE, DEMKO, SEMKO, SEV, FIMKO & NEMKO CCC



ITEM	PART NO.	PART NAME	QTY	SPECIFICATION	MATERIAL	REMARKS
2	T-21P	TERMINAL	1 SET	PCB TYPE	BRONZE	TIN-PLATED
1	H-20F1	HOUSING	1 pcs	UL94V-0	PBT+30 %GF	

 深圳市仁达电子有限公司 SHEN ZHEN STEADY ELECTRONICS CORPORATION		PART NO.: 2120-FP1-G		NAME: AC INLET 2P	
TOLERANCE UNLESS OTHERWISE MARKED DIMENSION: 0 ~ 6 : ±0.1 6 ~ 30 : ±0.2 30 ~ 120 : ±0.3		MATERIAL: SEE ABOVE		SPEC.: —	
ANGULAR ±0.5		APPROVED	CHECKED	DRAW BY 侯锡强 07/11/28	NOTE:

REV	DATE	MODIFY

A		UNIT:	SCALE	SHEET
3		mm	1:1	1 OF 1

JOB NO.: