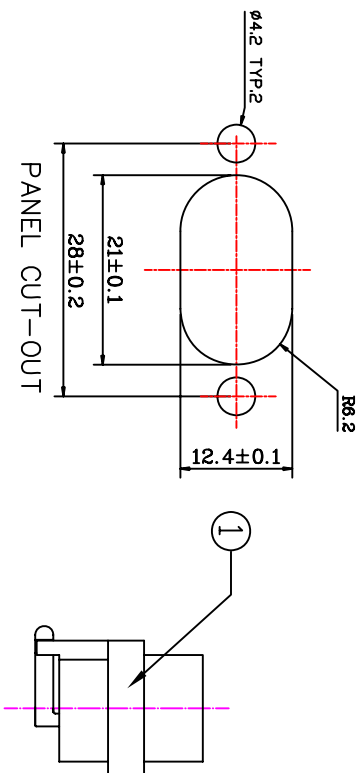


- A: MATERIAL:
 1. HOUSING: PBT+30%GF UL 94V-0
 2. TERMINAL: COPPER ALLOY

- B: CHARACTERISTICS:
 1. RATING: 2.5A 250V AC
 2. INSULATION RESISTANCE: OVER 100MΩ 500V AC
 DIELECTRIC STRENGTH: 2000V AC 1 MINUTE

C: APPROVALS:
 UL, CSA, VDE, DEMKO, SEMKO, SEV, FIMKO & NEMKO CCC



ITEM	PART NO.	PART NAME	QTY	SPECIFICATION	MATERIAL	REMARKS
2	T-21P	TERMINAL	1 SET	PCB TYPE	BRONZE	TIN-PLATED
1	H-20F	HOUSING	1 pcs	UL94V-0	PBT+30 %GF	

深圳市仁达电子有限公司
 SHEN ZHEN STEADY ELECTRONICS CORPORATION

TOLERANCE UNLESS OTHERWISE MARKED
 DIMENSION:
 0 ~ 6 : ±0.1
 6 ~ 30 : ±0.2
 30 ~ 120 : ±0.3

ANGULAR
 ±0.5

PART NO.: 2120-FP-G
 NAME: AC INLET 2P

MATERIAL: SEE ABOVE
 SPEC.: _____

APPROVED: _____ CHECKED: _____ DRAW BY: 侯锡强

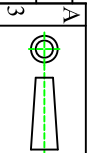
DATE: 07.11.28

NOTE: _____

SCALE: 1:1

SHEET: 1 OF 1

REV	DATE	MODIFY



UNIT: mm

SCALE: 1:1

SHEET: 1 OF 1

APPROVED: _____

DATE: 07.11.28

JOB NO.: _____