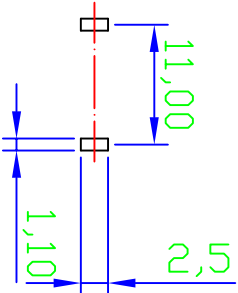
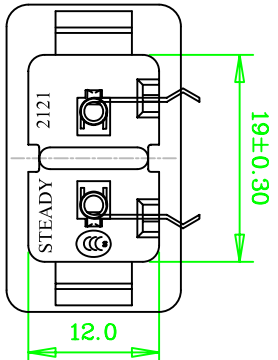
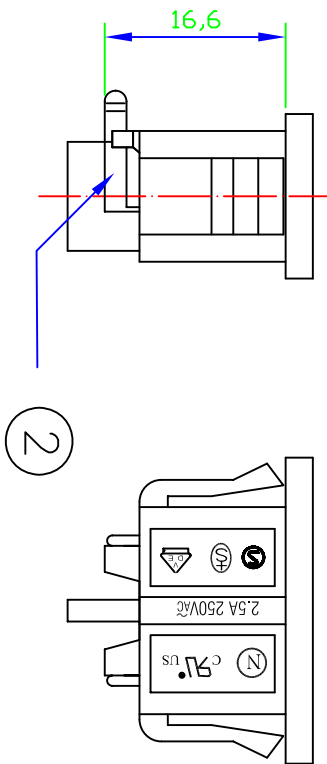
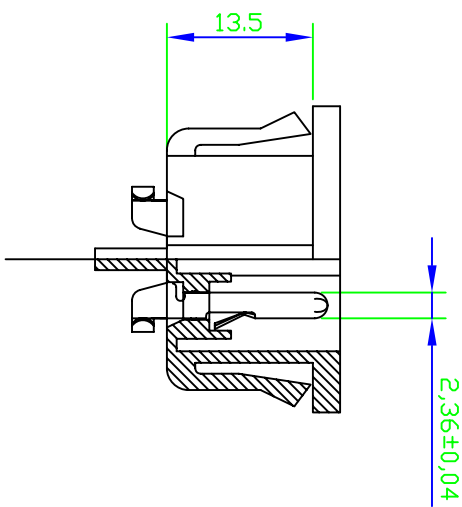


THICKNESS: 1.65t

- A: MATERIAL:
 1. HOUSING: PA66 UL 94V-2
 2. TERMINAL: COPPER ALLOY

- B: CHARACTERISTICS:
 1. RATING: 2.5A 250V AC
 2. INSULATION RESISTANCE: OVER 100MΩ AT 500V DC
 3. DIELECTRIC STRENGTH: 2000V AC ONE MINUTE

C: APPROVALS:
 UL, CSA, VDE, SEMKO, SEV, NEMKO, CCC,



2	T-21P	TERMINAL	1 SET	PCB MOUNTING TYPE	COPPER ALLOY	TIN-PLATED
1	H-21P	HOUSING	1	SNAP-IN TYPE	PBT+30 %GF	UL 94V-0
ITEM	PART NO.	PART NAME	QTY	SPECIFICATION	MATERIAL	REMARKS

深圳市仁达电子有限公司 SHENZHEN ZHEN STEADY ELECTRONICS CORPORATION		PART NO.: 2121-PP-G		NAME: SNAP-IN TYPE AC INLET 2P	
TOLERANCE UNLESS OTHERWISE MARKED DIMENSION: 0~6 : ±0.1 6~30 : ±0.3 30~120 : ±0.5		MATERIAL: SEE ABOVE		SPEC.: —	
ANGULAR ±0.5		APPROVED		CHECKED	
UNIT: mm		SCALE 1:1		DRAW BY 侯锡强 07.11.28	
SHEET 1 OF 1		REV.: B		JOB NO.:	

PCB LAYOUT