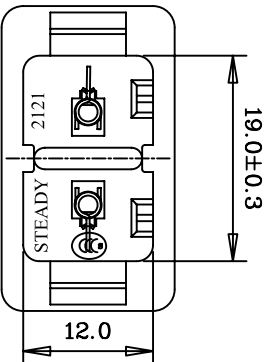
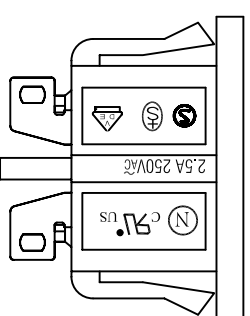
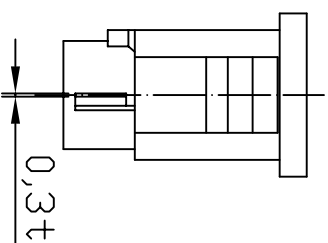
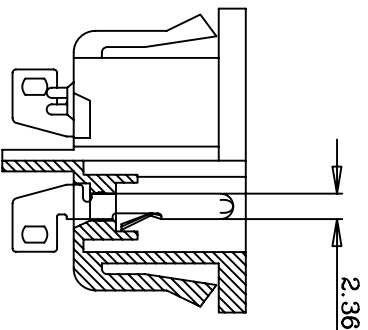


THICKNESS: 1.65t

- A: MATERIAL:
 1. HOUSING: PA66 UL 94V-2
 2. TERMINAL: COPPER ALLOY

- B: CHARACTERISTICS:
 1. RATING: 2.5A/250V AC
 2. INSULATION RESISTANCE: OVER 100MΩ AT 500V DC
 3. DIELECTRIC STRENGTH: 2000V AC ONE MINUTE

C: APPROVALS:
 UL, CSA, VDE, SEMKO, SEV NEMKO & CCC,



PANEL CUT-OUT

ITEM	PART NO.	PART NAME	QTY	SPECIFICATION	MATERIAL	REMARKS
2	T-21S	TERMINAL	2PCS	SOLDER TYPE	COPPER ALLOY	TIN-PLATED
1	H-21-PS-G	HOUSING	3.8g	SNAP-IN TYPE	PA66	THERMOPLASTIC

SHEN ZHEN STEADY ELECTRONICS CORPORATION
深圳市仁达电子有限公司

TOLERANCE UNLESS OTHERWISE MARKED
 DIMENSION: 0~6 : ±0.1
 6~30 : ±0.2
 30~120: ±0.3

PART NO.: 2121-PS-G
 NAME: SNAP-IN TYPE AC INLET 2P
 MATERIAL: SEE ABOVE
 SPEC.: _____

REV	DATE	RE DESCRIPTION	WRITE	APPD.
A.0	2008.02.22		侯锡强	

UNIT:	SCALE	SHEET
mm	1:1	1 OF 1

APPROVED	CHECKED	DRAW BY	JOB NO.:
		侯锡强	
		08/02/22	