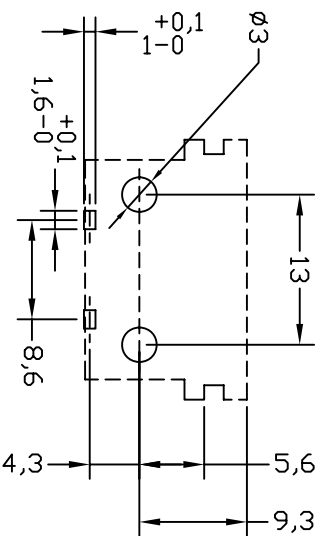


- A: MATERIAL:
 1. HOUSING: NYLON66 UL 94V-2 STD(UL 94V-0 ON REQUEST)
 2. TERMINAL: COPPER ALLOY
- B: CHARACTERISTICS:
 1. RATING: 2.5A250V AC
 2. INSULATION RESISTANCE: 2000V AC 0.5mA AT 1 MINUTE
 3. DIELECTRIC STRENGTH OVER 100MΩ AT 500V DC
- C: APPROVALS:
 UL, CSA, VDE, SEMKO, SEV, CCC, KTL
- D: ORDERING OPTION



PCB LAYOUT

ITEM	PART NO.	PART NAME	QTY	SPECIFICATION	MATERIAL	REMARKS
3	T-20-RA	TERMINAL	2PCS		COOPER ALLOY	TIN-PLATED
2	T-20-1P	TERMINAL	2PCS	∅ 2.36	COOPER ALLOY	TIN-PLATED
1	H-23-2P-G	HOUSING	3g		PA66	THERMOPLASTIC

SHEN ZHEN STEADY ELECTRONICS CORPORATION
 深圳市仁达电子有限公司

TOLERANCE UNLESS OTHERWISE MARKED
 DIMENSION: ANGULAR ±0.5

0~6 : ±0.1
 6~30 : ±0.2
 30~120 : ±0.3

REV	DATE	RE DRAWING	DESCRIPTION	WRITE	APPD.
A.0	2008.02.22			侯锡强	

UNIT:	SCALE	SHEET
mm	1:1	1 OF 1

APPROVED	CHECKED	DRAW BY	JOB NO.:
		侯锡强	

08/02/22